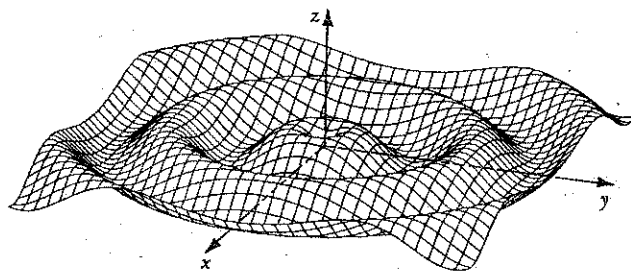
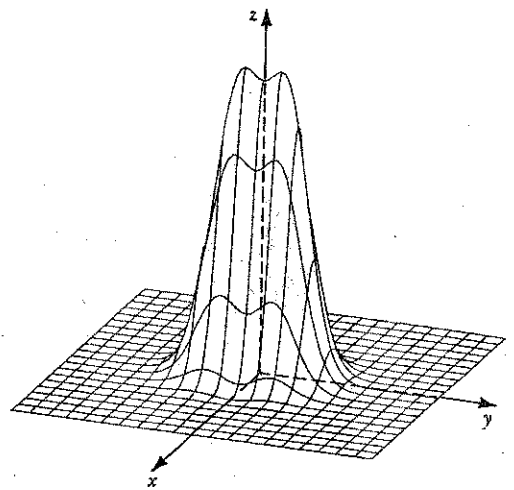


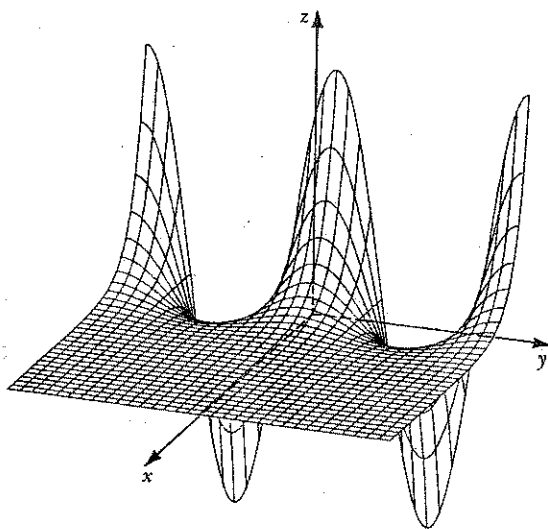
Fig 1. Graph of $f(x, y) = \sin 2\pi x \cos y$



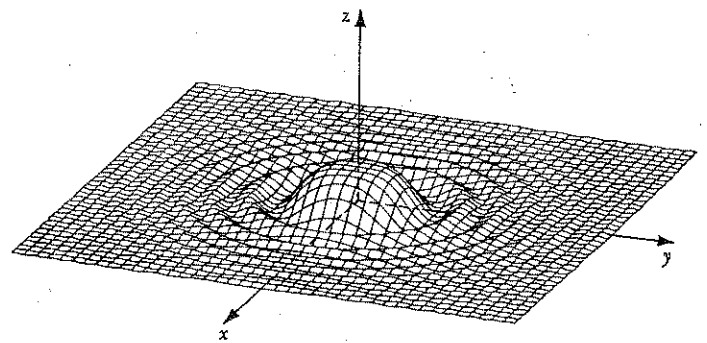
$$z = \sin \sqrt{x^2 + y^2}$$



$$z = (3 - x^2 + 4y^2) e^{-x^2 - y^2}$$



$$z = e^{-x^2} \cos y$$



$$z = \frac{\sin(x^2 + y^2)}{x^2 + y^2}$$

Fig 2.

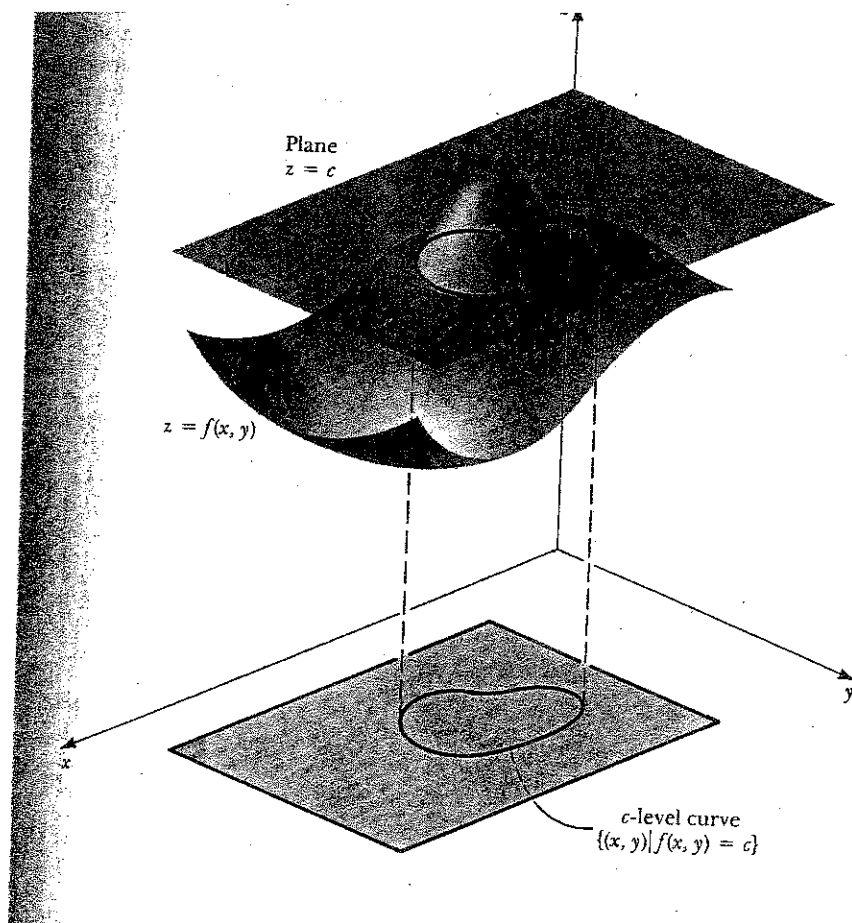


Fig 3.

Figure 13.7
A c -level curve: $\{(x, y) | f(x, y) = c\}$.